

CONSTRUCTIVE PROPERTIES

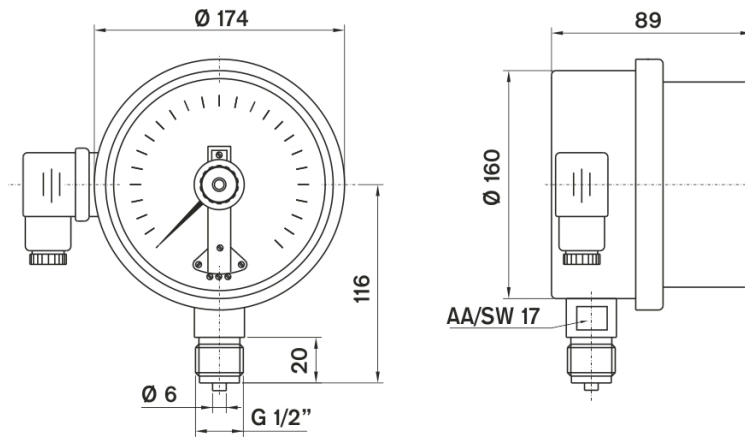
	STANDARD	OPTIONAL
Mounting Type	Bottom Connection	See Technical Drawing
Scale Unit	bar	psi kg/cm ²
Scale Range (PN)	0/0,6 0/1 0/1,6 0/2,5 0/4 0/6 0/10 0/16 0/25 0/40 0/60 0/100 0/160 0/250 0 - 315 0/400 0/600	
Vacuum Scale Range	-1 / +1,5 -1 / +3 -1 / +5 -1 / +9 -1 / +15 -1 / +24 -1 / +0,6 -1 / 0	
Case	Steel (Black Enamelled)	Stainless Steel AISI-304
Bezel	Steel (Black Enamelled)	Stainless Steel AISI-304
Window	Acrylic	Polycarbonate
Movement	Brass	Stainless Steel AISI-304 Vib-lock Movement
Wetted Parts	Copper Alloy	Stainless Steel AISI-316L
Connection	G 1/2" B	1/2" NPT
Dial	Aluminum	-
Pointer	Aluminum	-
Output Range	4 - 20 mA	-



160 11 101 P/T
Bottom Connection

USAGE PROPERTIES

Fluid Temperature	Maximum + 60 °C	Maximum + 150 °C
Ambient Temperature	- 40...+ 60°C	-
Operating Pressure (max.)	Must not exceed full scale.	
Over Pressure Limit	F.S. x 1,3	-
Accuracy Class	CL 1.0	-
Protection Rate	IP 41	IP 65
Optimum Operating Range	Between 0,0 x PN and 1,0 x PN	
Storage Temperature	-40 ... +70 °C	-
Conformity	EN 837 - 1	-
Mechanical Shock Test Load	15g	-



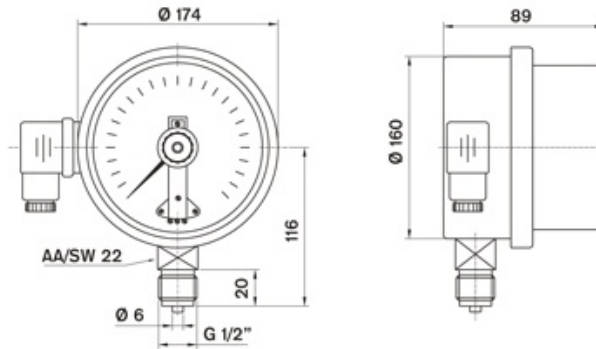
Model No: 160 11 101 P/T

Bottom Connection

www.Laheghi.com

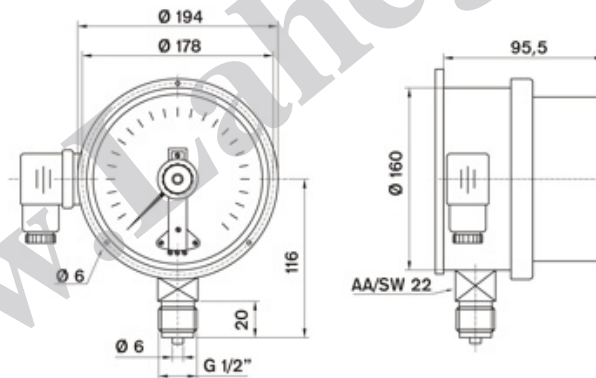
**PRESSURE GAUGES with ELECTRICAL CONTROL OUTPUT
POTANTIOMETER / TRANSDUCER Ø 160 mm**

5.51



Pressure Gauge										
	Model #	gr.	Model #	gr.	Model #	gr.	Model #	gr.	Model #	gr.
Cu-Alloy	160 11 001 P / T	1055	160 11 002 P / T	1020	160 11 003 P / T	1080	160 11 004 P / T	990	160 11 005 P / T	1050
St. Steel	160 11 101 P / T	1020	160 11 102 P / T	980	160 11 103 P / T	1040	160 11 104 P / T	970	160 11 105 P / T	1030

P.S : In addition to model numbers, please indicate "P" for potentiometer or "T" for transducer.



Pressure Gauge						
	Model #	gr.	Model #	gr.	Model #	gr.
Cu-Alloy	160 11 006 P / T	1165	160 11 007 P / T	1110	160 11 008 P / T	1080
St. Steel	160 11 106 P / T	1130	160 11 107 P / T	1070	160 11 108 P / T	1060